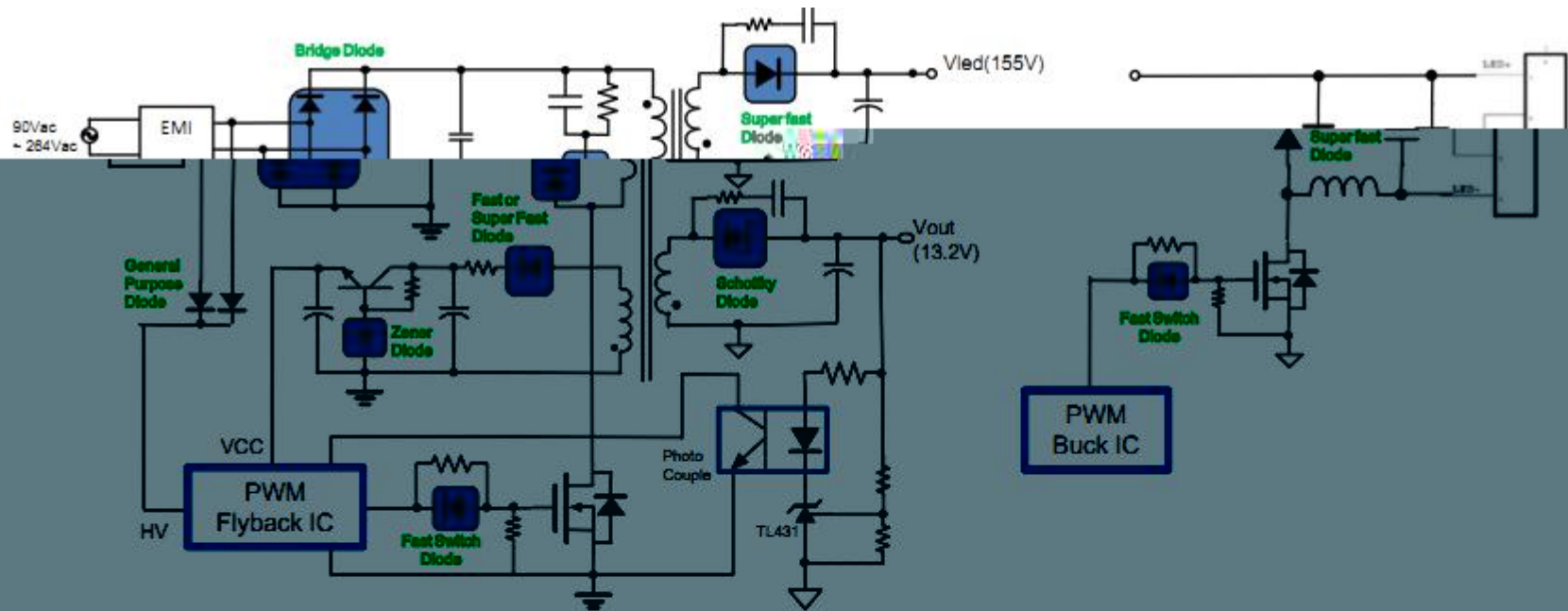


PSU(—Flyback(+LED Driver(Buck)



Bridge Diode

D3UB80
D4UB80
GS3J x 4(SMC)
GS5J x 4(SMC)

Fast Diode

GP1M(SMA)
F1MF(SMAF)
FR107G(DO-41)
Super Fast Diode
HS1M(SMA)
HER108G(DO-41)

Fast Switch Diode

1N4148W
(SOD-123)
1N4148WS
(SOD-323)

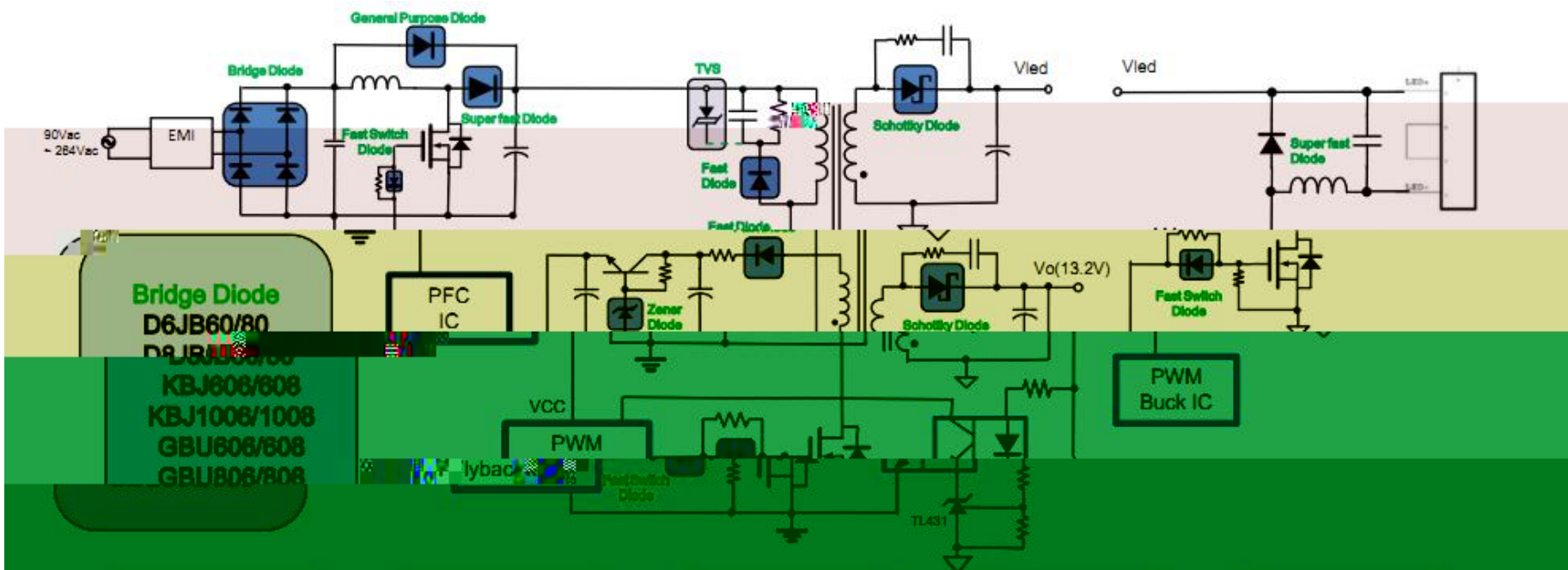
Schottky Diode

(ITO-220AB)
MBR20100FCT
MBRL20100FCT
(TO-252)
SR20100CS
SRT20L100D

Super Fast Diode

2GA(SMA)
SF26G-E(DO-15)

PSU(—PFC+Flyback(+LED Driver(Buck)



Bridge Diode
 D6JB60/80
 D8JB100/80
 KBJ606/608
 KBJ1006/1008
 GBU606/608
 GBU806/808

PFC IC

PWM

PWM Buck IC

General Purpose Diode
 GS3M(SMC)
 GS5M(SMC)
 1N5406(DO-201AD)

Fast Diode
 GR1M(SMA)
 F1MF(SMAF)
 FR107G(DO-41)

Fast Switch Diode
 1N4148W
 (SOD-123)
 1N4148WS
 (SOD-123)

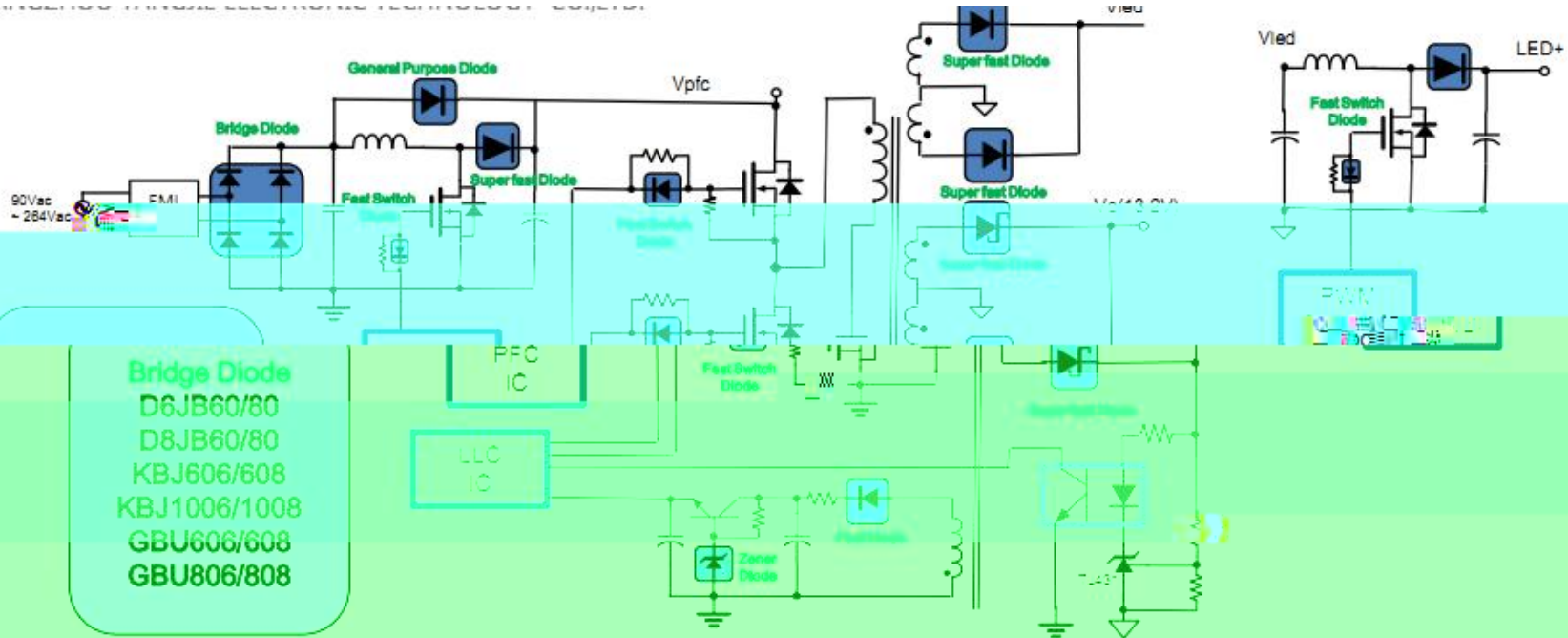
Schottky Diode
 (TO-220AB)
 MBR20100FCT
 MBRL20100FCT

Super Fast Diode
 ES2GA(9MA)
 SF28G-E(DO-15)

Super Fast Diode
 HER508G
 (DO-201AD)
 MUR1060FCT
 (TO-220AB)

Super Fast Diode
 HS1M(SMA)
 HER108G(DO-41)

Schottky Diode
 (TO-252)
 SR20100CS
 SRT20L100D



- Bridge Diode**
 D6JB60/80
 D8JB60/80
 KBJ606/608
 KBJ1006/1008
 GBU606/608
 GBU806/808

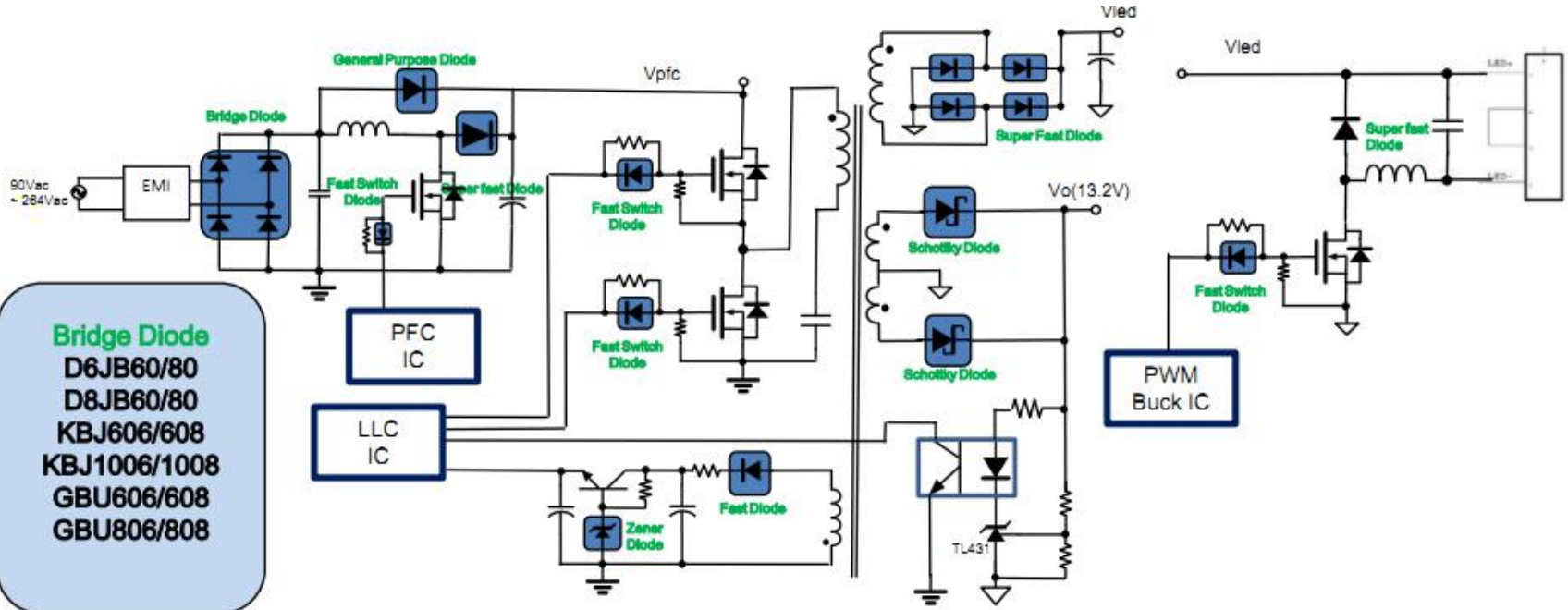
- General purpose**
 GS3M(SMC)
 GS5M(SMC)
 1N5408(DO-201AD)
Super Fast Diode
 HER508G
 (DO-201AD)
 MUR1060FCT
 (ITO-220AB)

- Fast Diode**
 GR1M(SMA)
 F1MF(SMAF)
 FR107G(DO-41)
High Efficient Diode
 HS1M(SMA)
 HER108G(DO-41)

- Fast Switch Diode**
 1N4148W
 (SOD-123)
 1N4148WS
 (SOD-323)

- Schottky Diode (ITO-220AB)**
 MBR2060FCT
 MBR20100FCT
 MBRL2060FCT
 MBRL20100FCT
 (TO-252)
 SRT10L60D
 SRT10L100D
 SRT20L100D

- Schottky Diode (ITO-220AB)**
 MBR10200FCT
Super Fast Diode
 ES2JA(SMA) x 4
 SF26G-E
 (DO-15) x 4



- Bridge Diode**
 D6JB60/80
 D8JB60/80
 KBJ606/608
 KBJ1006/1008
 GBU606/608
 GBU806/808

- General purpose**
 GS3M(SMC)
 GS5M(SMC)
 1N5408(DO-201AD)
Super Fast Diode
 HFR509G
 (DO-201AD)

- Fast Diode**
 GR1M(SMA)
 F1MF(SMAF)
 FR107G(DO-41)
High Efficient Diode
 MFR107G
 (DO-41)

- Fast Switch Diode**
 1N4148W
 (SOD-123)
 1N4148WS
 (SOD-323)

- Schottcky Diode**
 (ITO-220AB)
 MBR2060FCT
 MBR20100FCT
 MBRL2060FCT
 MBRL20100FCT

- Schottcky Diode**
 (ITO-220AB)
 MBR10200FCT
Super Fast Diode
 ES2JA(SMA) x 4
 SF509G

PSU(

—PFC+LLC(

+LED Driver(Boost)

